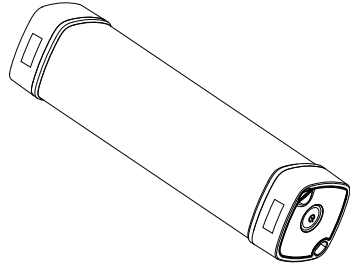


USER GUIDE

MINI MAGNETIC STRIP LIGHT



ITECHWORLD
THE POWER EXPERT



CONTENTS

1. Product Overview	3
Overview	3
Key Features	3
Package Contents	3
Unit Diagram	4
2. Getting Started	5
Operation Guide	5
3. Charging Time & Power Display	5
4. Specifications	6
Maintenance	6
5. Safety Precautions	6
6. Contact Us	8

ITECHWORLD

2

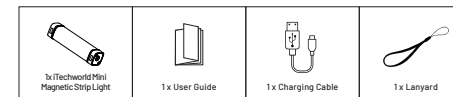
OVERVIEW

The iTechworld Mini Magnetic Strip Light offers simple, user-friendly controls that allow you to easily cycle through the various lighting modes. From an amber light to deter insects and an SOS light for emergencies, the iTechworld Mini Magnetic Strip Light is adaptable to any situation. Its compact size and lightweight design make it easy to carry, while an integrated hanging loop and dual magnets allow you to suspend it almost anywhere for hands-free lighting.

KEY FEATURES

- IP65 water resistant
- Amber light to deter insects
- SOS emergency light
- In-built power bank
- Pre-installed magnets
- Lanyard loop
- Ultra-bright 150 Lumen

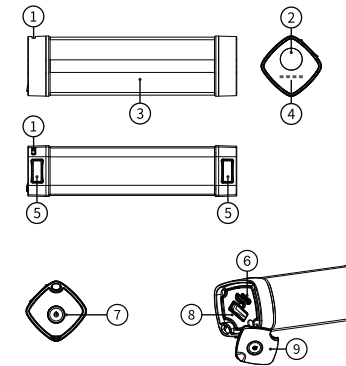
Package Contents



ITECHWORLD

3

UNIT DIAGRAM



- | | |
|---------------------------|-------------------------|
| ① LANYARD TIE POINT | ⑥ USB -C INPUT PORT |
| ② TORCH LIGHT | ⑦ POWER CONTROL |
| ③ LIGHT DIFFUSER | ⑧ USB OUTPUT PORT |
| ④ BATTERY LEVEL INDICATOR | ⑨ WATER RESISTANT COVER |
| ⑤ STRONG MAGNETS | |

ITECHWORLD

4

GETTING STARTED

OPERATION

1. Pressing the power button located at the end of the unit will change the lighting mode from the first white light to the second, then the SOS light and finally, the amber light.
2. While the unit is off, holding the power button for over 2 seconds will turn on the torch light. A short or long press from this stage will turn off the light.
3. When any light is on, holding the power button will turn off the light.

Operation	Light Mode	Brightness Level
Short Press	White	3%
2nd Short Press	White	100%
3rd Short Press	SOS	100%
4th Short Press	Insect Repellent	100%
Hold the Button	Torch	100%

CHARGING TIME & POWER DISPLAY

Using the included 5V/1.2A adaptor, the light will take around three hours to go from 0% to 100%. The device has four charge LED indicators that allow you to monitor the state of charge.

WHILE CHARGING

Display	
State of Charge	LEDs
Full Charge	All LEDs will be on
75% - Full	One LED will flash
50% - 75%	One LED will flash, one is off
25% - 50%	One LED will flash, two are off
Flat - 25%	One LED will flash, the rest will be off

ITECHWORLD

5

WHILE NOT CHARGING

Display	
State of Charge	LEDs
75% - Full	All LEDs will be on
50% - 75%	One LED will be off
25% - 50%	Two LEDs will be off
3% - 25%	Three LEDs will be off
Flat - 3%	All LEDs will be off, one will flash

SPECIFICATIONS

iTechworld Mini Magnetic Strip Light	
USB Output	5V/1.2A
USB-C Input	5V/1.2A
Power	1.5W Max
Brightness	150LM
Weight	0.150kg
Charging Time	3 Hours
Operating Temperature	0°C - 50°C
Storage Temperature	-10°C - 60°C
IP Rating	IP65
Dimensions (LxWxH)	35 x 35 x 150mm

MAINTENANCE

Wipe the product and its surfaces down using a soft, dry cloth. Do not use liquids or solvents which will damage the product's surface.

SAFETY PRECAUTIONS

For safe operation, the iTechworld Mini Magnetic Strip Light must be operated correctly. Please carefully read, understand, and follow all instructions in this user guide. Failure to follow these instructions may result in damage to the unit or property, death or serious injury.

ITECHWORLD

6

Disclaimer: While iTechworld has taken every precaution to ensure the accuracy of the contents of this user guide, iTechworld assumes no responsibility for any errors or omissions.

Furthermore, all specifications and functionality may change at any time without notice.

It is best to view our website for the most up-to date information

WARNING:

Should any of the following occur, immediately turn off and stop using the unit:

- Any liquid, including water, spills into the product.
- The product gives off odours or has an unusual flickering.
- The cable is damaged, or you can see the exposed wire.
- The case has been broken.

WARNING:

Keep all components of this device away from fires and high temperatures.

WARNING:

Keep all components of this device away from children.

WARNING:

Check the voltage requirements before operation to avoid damage to the light.

WARNING:

Do not disassemble or modify the light; doing so may result in a risk of death or serious injury and will void your warranty.

WARNING:

Ensure the light is charged at least once every three months and is not left out of charge (0%) for more than seven days.

WARNING:

Unplug the power cord once the light has been fully charged (100%).

WARNING:

Do not cover the light while the unit is in operation.

ITECHWORLD

7

ITECHWORLD
THE POWER EXPERT

CONTACT US

☎ 1300 483 249

✉ service@itechworld.com.au

🌐 www.itechworld.com.au

When it comes to energy storage and creation at iTechworld, we take pride in being one of the biggest names in the industry. Based in Australia, we are a family-owned and operated business. With many more innovative products on the horizon we are committed to constantly raising the bar to provide bigger and better benefits to all our customers Australia wide.

Whether you're an avid camper, 4WD enthusiast, freedom seeker or camper, we've got your power needs covered. Escape the grid without compromise, minimise your downtime and travel with comfort with our large range of leading products at great prices.

iTechworld. The Power Expert.

LOVE YOUR MINI MAGNETIC STRIP LIGHT? LEAVE A REVIEW



Google
***** Reviews



PRODUCT REVIEW
COM.AU



★ Trustpilot

ITECHWORLD

8